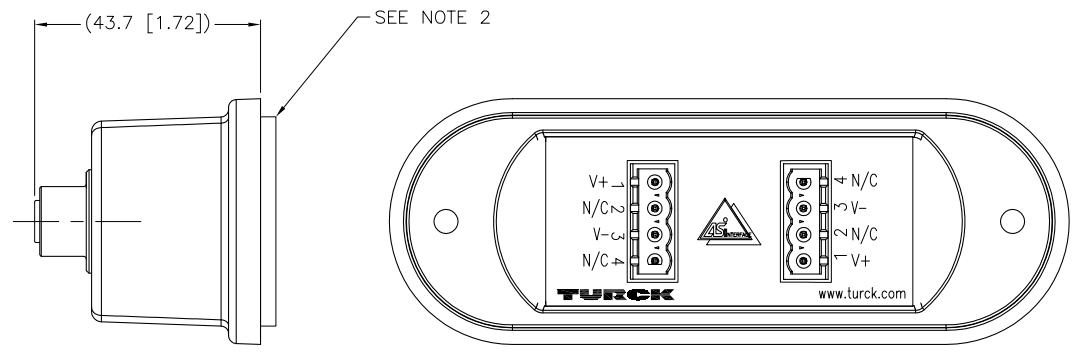
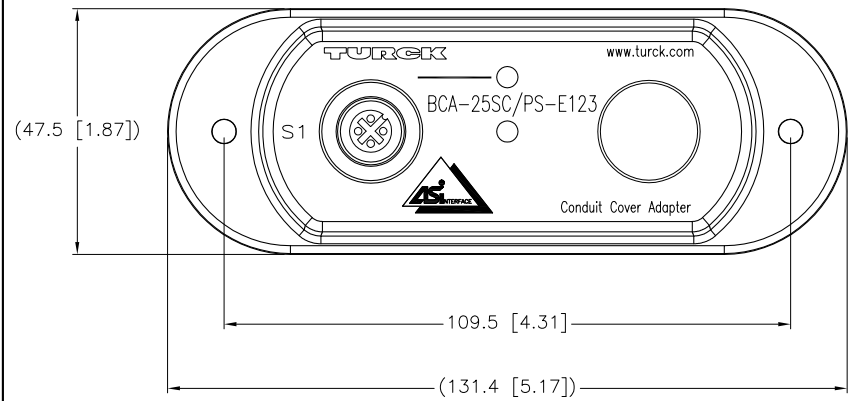
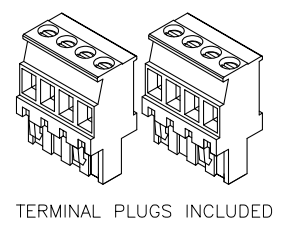
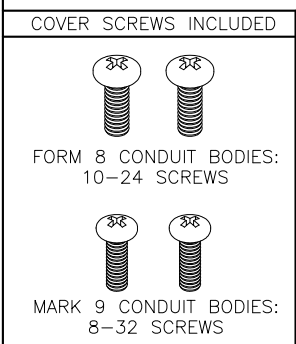




SPECIFICATIONS	
HOUSING MATERIAL	NYLON 66 - 33% GLASS FILLED/BLACK
RECEPTACLE HOUSING MATERIAL/FINISH	STAINLESS STEEL/PASSIVATED
CONTACT CARRIERS/COLOR	TPU/BLACK
CONTACT MATERIAL/PLATING	BRASS/GOLD
OPERATING VOLTAGE	18-31 V
OPERATING CURRENT	< 11 mA
OUTPUT CURRENT LIMIT	280 mA
PROTECTION CLASS to DIN 40050	IP 67 - ONLY WHEN ALL RECEPTACLES ARE COVERED WITH PLUGS OR CONNECTED
OPERATING TEMPERATURE	-40°C to +80°C (-40°F to +176°F)
LED, INDICATION: GREEN	BUS POWER
LED, INDICATION: RED	SHORT-CIRCUIT INDICATION



- NOTE:
1. THIS DEVICE IS EQUIVALENT TO ONE (1) SLAVE ON THE NETWORK.
 2. "/PS" INDICATES SPECIAL GASKET FOR PVC COATED CONDUIT BODIES AND STAINLESS STEEL SCREWS.



SOURCE DRAWING - FOR REFERENCE ONLY

RELATED DOCUMENTS		3RD ANGLE PROJECTION		THIS DRAWING IS PROPERTY OF TURCK INC. USE OF THIS DOCUMENT WITHOUT WRITTEN PERMISSION IS PROHIBITED.		TURCK INC High Technology Sensors and Automation Controls 3000 CAMPUS DRIVE MINNEAPOLIS, MN 55441 1-800-544-7769 (763) 553-7300 (763) 553-0708 fax turck.com	
1.			DRFT	RDS	DATE	04/02/08	DESCRIPTION BCA-25SC/PS-E123
2.			DSGN		SCALE	1=1.5	
3.		ALL DIMENSIONS DISPLAYED ON THIS DRAWING ARE FOR REFERENCE ONLY CONTACT TURCK FOR MORE INFORMATION	UNIT OF MEASUREMENT		IDENTIFICATION NO.		REV
4.			MILLIMETER [INCH]		U3-10782		B
MATERIAL		FINISH		DO NOT SCALE THIS DRAWING		FILE: U3-10782	SHEET 1 OF 1

B	DRAWING PROCESSED AS PART OF ECO 33971	CBM	04/07/11	33971
REV	DESCRIPTION	BY	DATE	ECO NO.